

CAUTION : Read instructions thoroughly and completely prior to beginning installation.

Installation Instructions Separable Straight Connector - CENELEC interface type A



Only to be used on copper tape screened cable with extruded semi-conductive screen and conductors of copper or aluminium

Check if the diameter over cable core insulation is in accordance with the cable reducer range as indicated in table below:

Cable reducer size (see marking inside cable reducer)	Dia. over core insulation (mm)	
	min	max
200CA-12	13.0	21.0
200CA-16	17.5	25.0

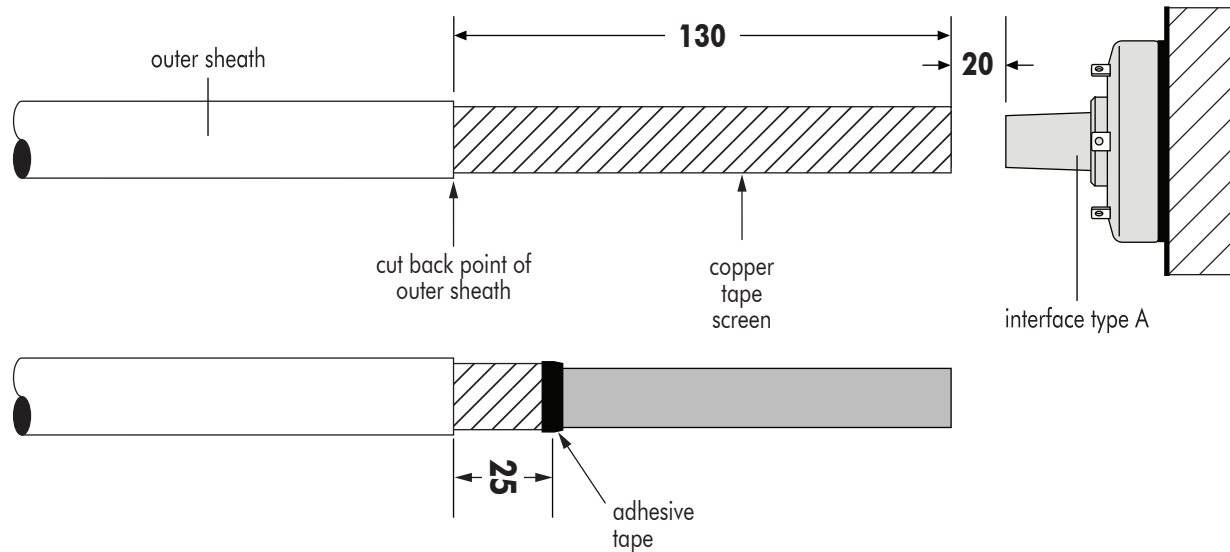
Contents :

3x					
	3 x Straight connector housing 200SR/G	Cable reducer 200CA	Conductor contact 200SRMC	Bail restraint 200SRBA	
Silicone grease + wipers		Gloves	Water sealing mastic, type NGAF		
3x Earthing braid		3x cleating wire	Semi-conductive tape		



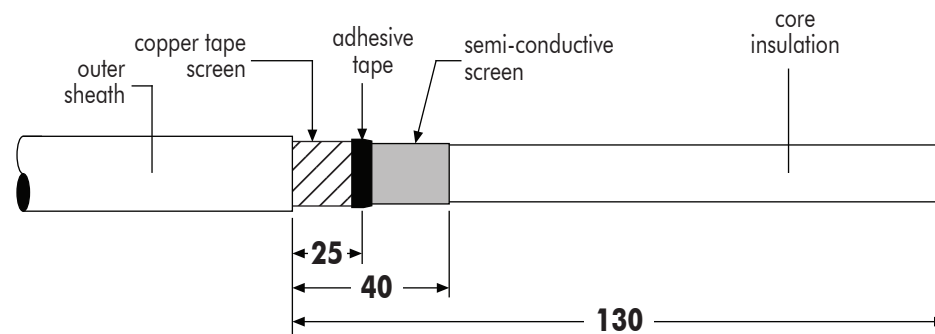
This product should be installed only by competent personnel trained in good safety practices involving high voltage electrical equipment. These instructions are not intended as a substitute for adequate training or experience in such safety practices. These instructions do not attempt to provide for every possible contingency. Failure to follow these instructions could result in damage to the product and serious or fatal injury. **IMPORTANT** : Cable and associated apparatus must be de-energised, locked out, and tagged prior to product installation.

## CABLE PREPARATION



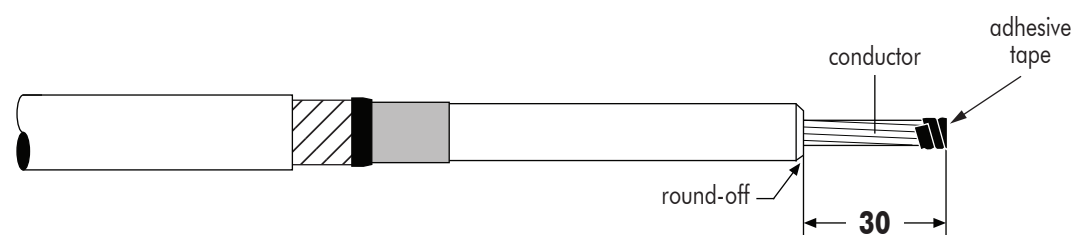
- 1 Cut the cable **5** mm from the centerline of the bushing.
- 2 Remove the outer sheath for a distance of **130** mm.
- 3 Remove the copper tape screen to a point **25** mm from the outer sheath and secure it with a wrap of adhesive tape.

## SEMI-CONDUCTIVE SCREEN REMOVAL



- 1 Check distance of **130** mm.
- 2 Remove the semi-conductive screen to a point **40** mm from the outer sheath.  
**For extruded easy strip semi-conductive screen:**  
 Cut squarely taking care not to cut the core insulation.  
**For bonded extruded semi-conductive screen:**  
 Use an appropriate pencilling tool. Make a smooth transition between core insulation and semi-conductive screen.

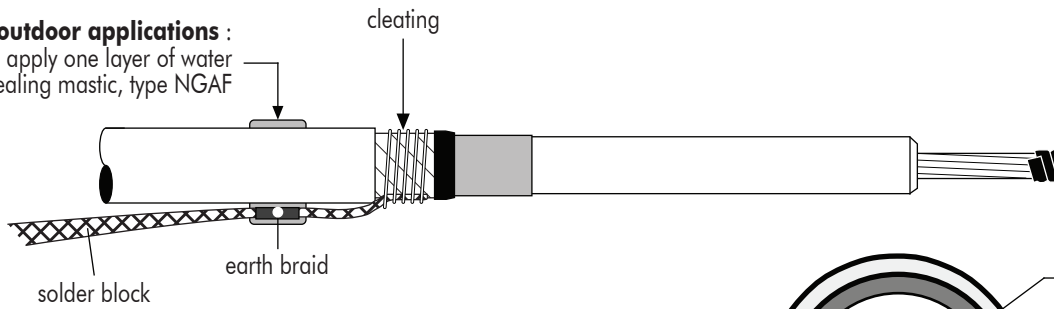
## REMOVAL OF THE CORE INSULATION



- 1 Remove the core insulation from the conductor for a distance of **30** mm.
- 2 Slightly round-off the edge of the core insulation. **Do not sharpen in cone-shape.**
- 3 **Thoroughly clean core insulation.**
- 4 As a protection, wrap a few turns of adhesive tape around the conductor end.

## SCREEN EARTHING AND INSTALLATION OF THE CABLE REDUCER

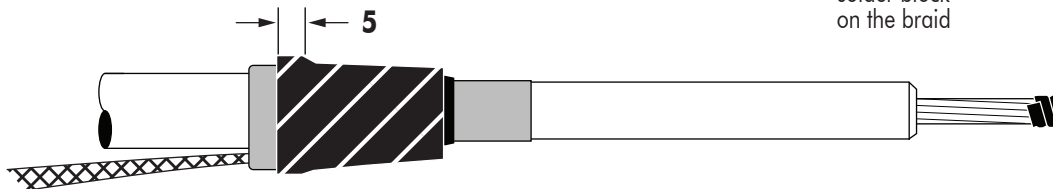
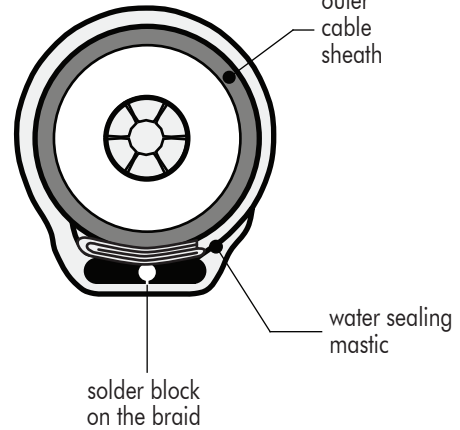
**For outdoor applications :**  
apply one layer of water  
sealing mastic, type NGAF



**1** Cleat the braid to the copper screen.

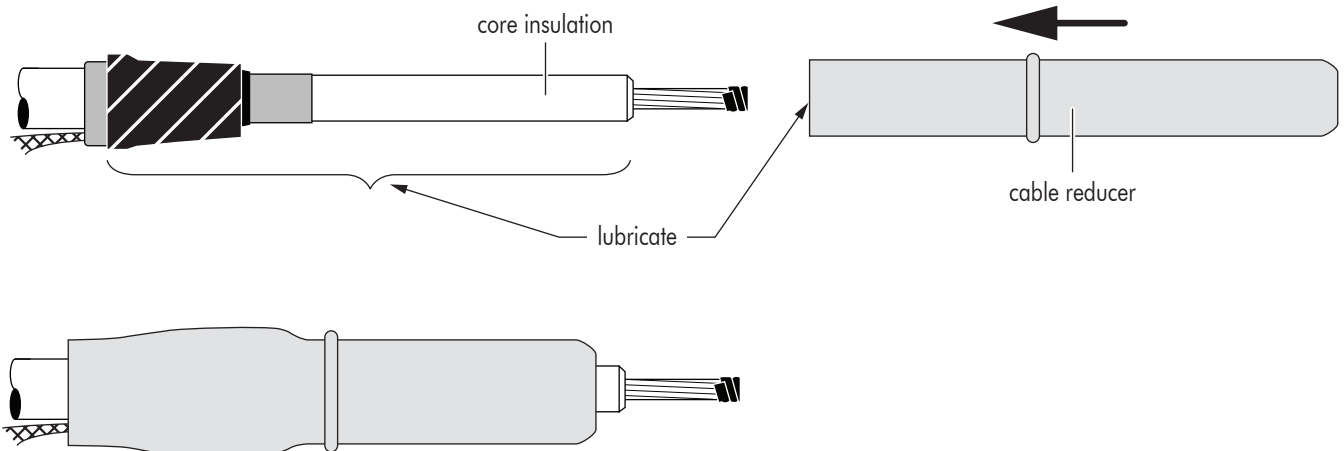
**2 For outdoor applications:**

Fold one strip of mastic twice (4 layers) and place it under the solder block on the braid. Then wrap the second strip of mastic over the solder block of the braid and around the outer sheath.



**3** Cover the cleating with two layers of semi-conductive tape overlapping the water sealing mastic by **5 mm** (50% stretch, 50% overlap).

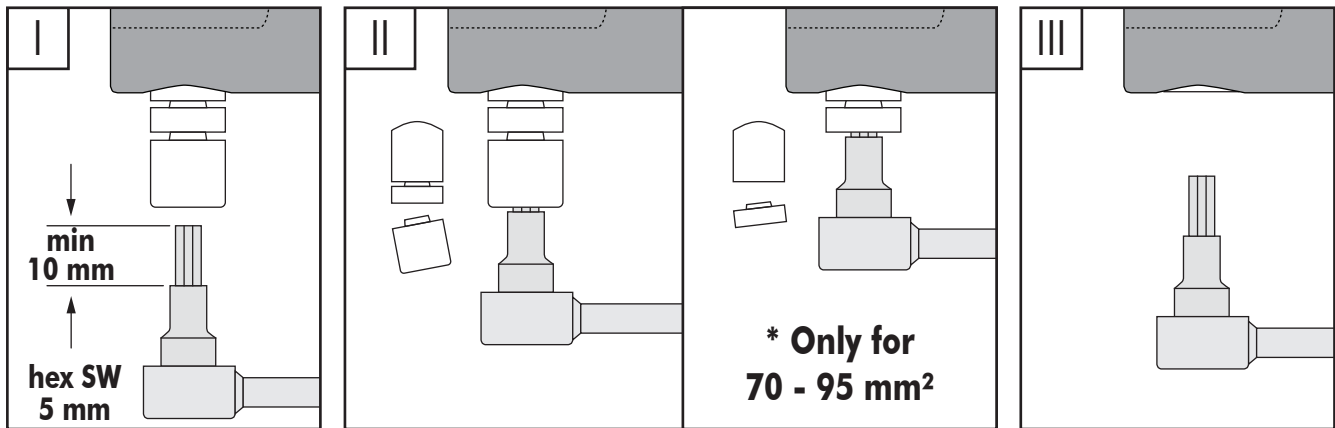
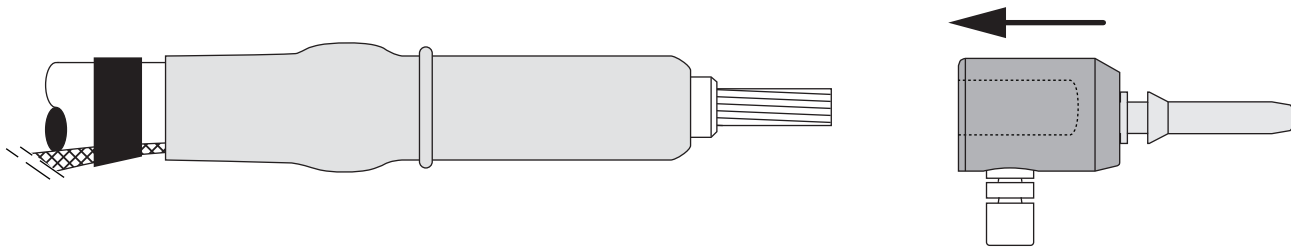
## INSTALLATION OF THE CABLE REDUCER



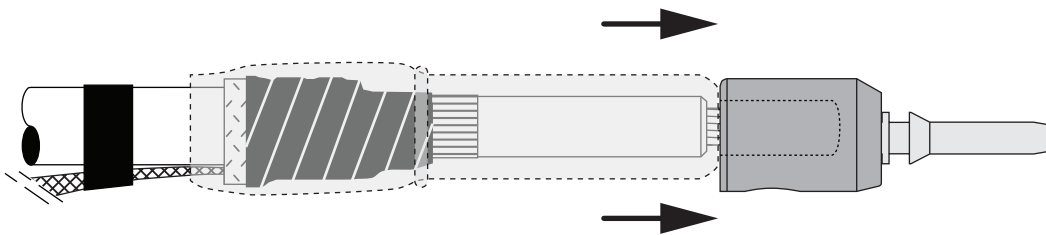
- 1** As a protection, wrap a few turns of adhesive tape around the conductor end.
- 2** Lubricate\* the indicated area: cable surface and inner surface of the reducer.
- 3** Slide the reducer down the cable.
- 4** Remove the protective adhesive tape from the conductor.

\* USE ONLY THE SILICONE LUBRICANT SUPPLIED

## TIGHTENING OF THE CONTACT

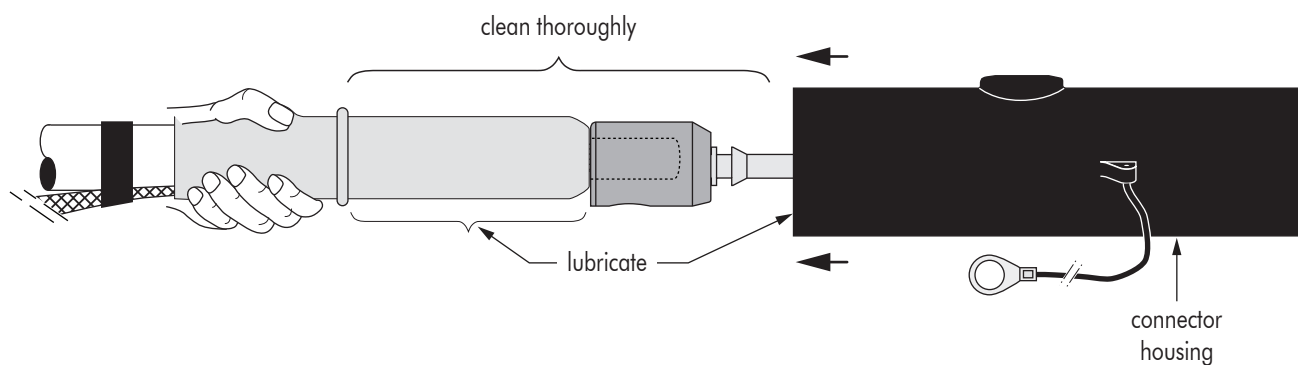


- 1** Install the contact on the cable conductor.
- 2** Tighten the contact until the bolt head shears off.  
(\* ) For 70 - 95 mm<sup>2</sup>, tighten again until the second level of the bolt head shears off.

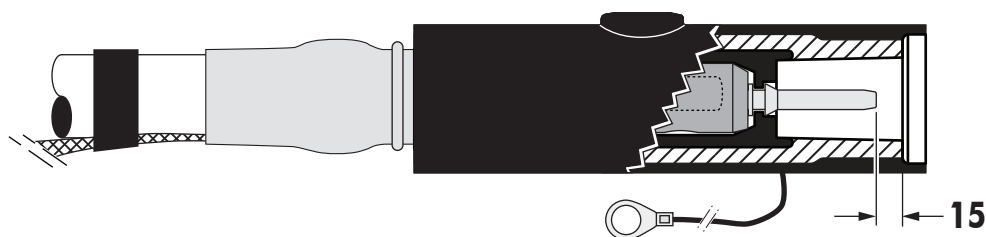


- 3** After tightening the contact, slide the cable reducer up until it butts against the contact.

## CONNECTOR INSTALLATION ON THE CABLE

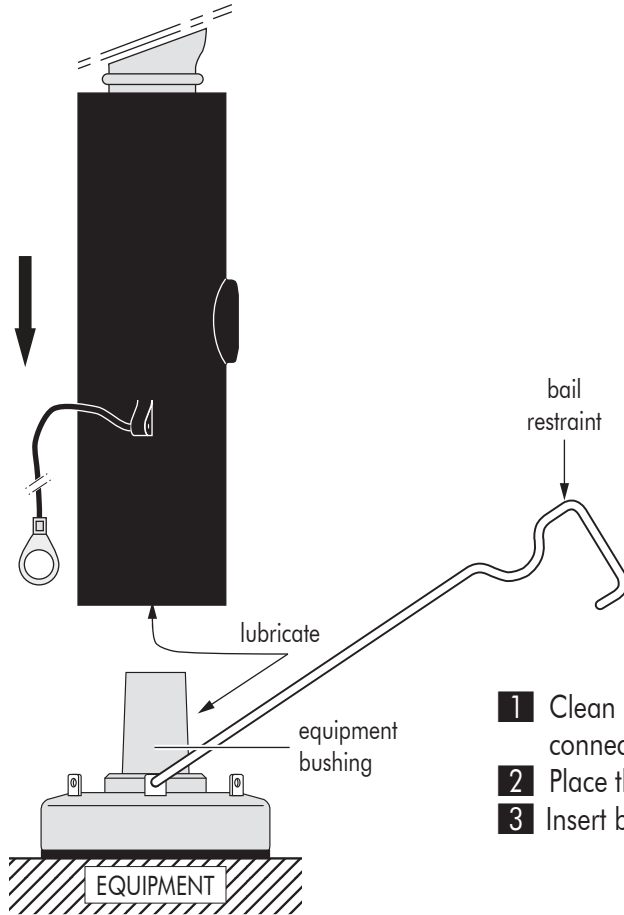


- 1 Thoroughly clean cable reducer and contact.**  
Always wipe towards the screen wires.
- 2 Lubricate\* cable reducer and inside surface of the connector.**

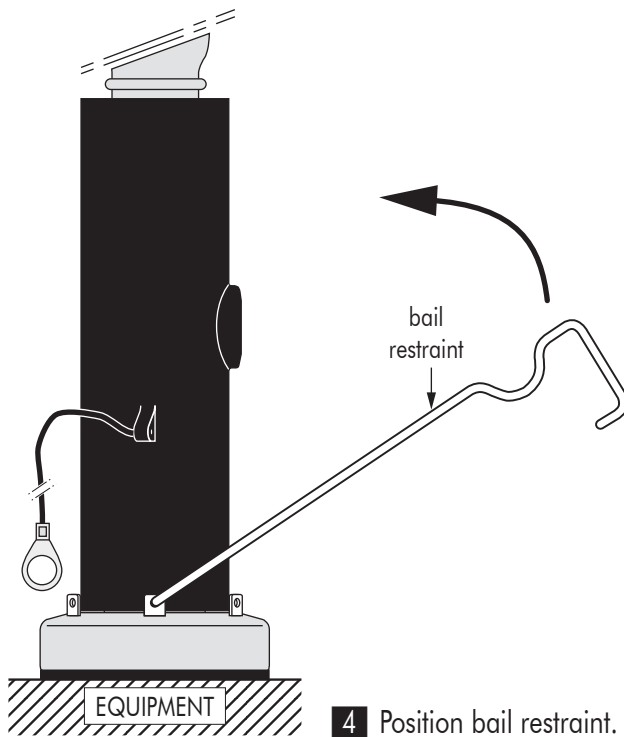


- 3 Slide the connector housing on to the reducer until the pin contact locks into the connector as shown.**  
Check dimension of **15** mm.

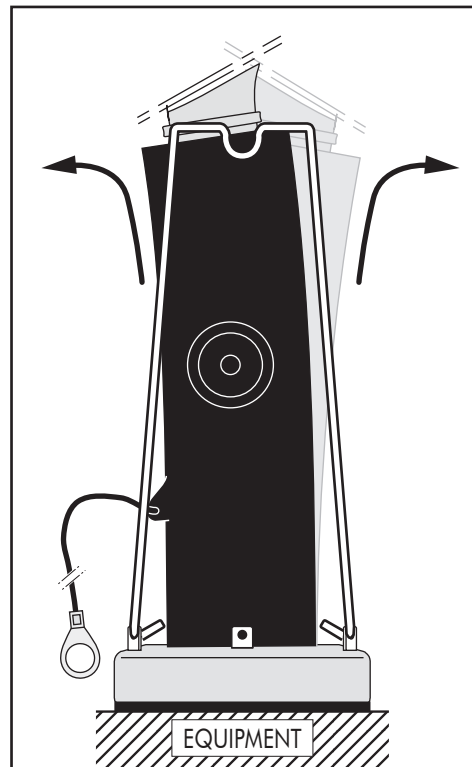
## CONNECTOR INSTALLATION ON THE BUSHING



- 1** Clean and lubricate\* lightly both bushing interface and connector interface.
- 2** Place the connector firmly down on the bushing.
- 3** Insert bail into the bushing tabs.



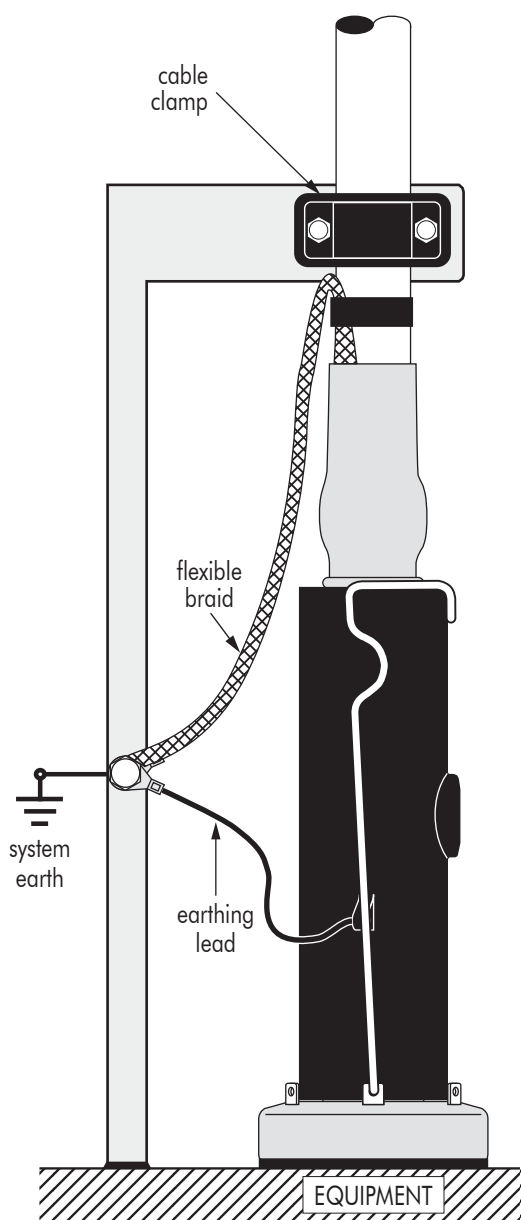
- 4** Position bail restraint.



### Installation hint :

if necessary, slightly bend the straight connector left-right to let the bail snap into position.

## EARTHING AND CABLE CLAMPING



- 1 Connect earthing lead of the connector and flexible braid to the system earth.

### NOTE :

**A connector/bushing mated combination should not be allowed to carry the full weight of the cable. Therefore it is necessary to clamp the cable as close as possible to the connector.**

### IMPORTANT NOTES :

- Never disconnect the straight connector from energised equipment nor energise a disconnected straight connector without previously installing an appropriate mating part.
- Do not allow hydrocarbon oils or solvents to contaminate the E.P.D.M. rubber. In the event of contamination, wipe the surface clean with a dry cloth.